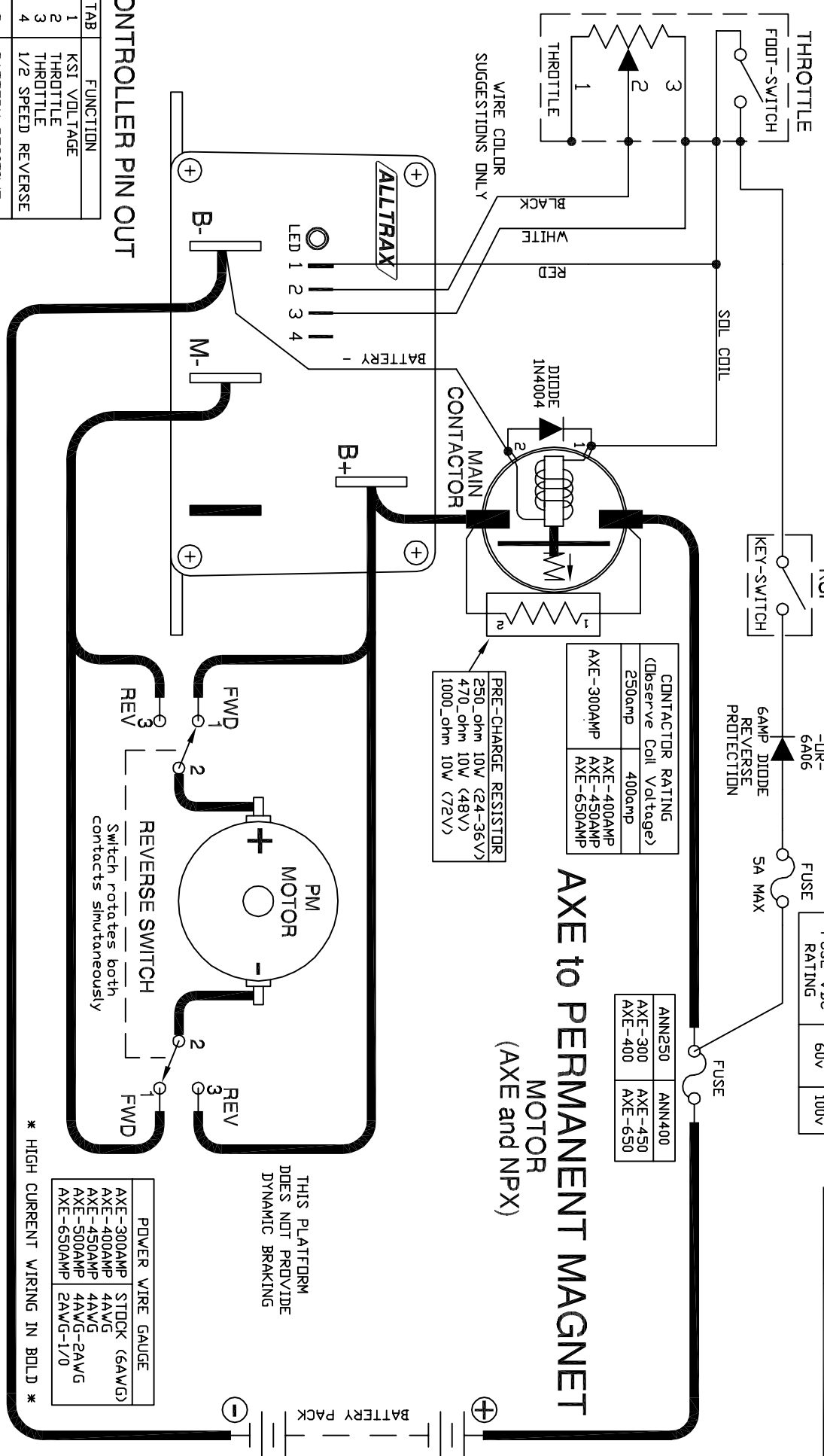


BATTERY VDC	12-48V	72V
FUSE VDC RATING	60V	100V



CONTACTOR RATING (Disperse Coil Voltage)	
250amp	400amp
AXE-300AMP	AXE-400AMP
	AXE-450AMP
	AXE-500AMP
	AXE-650AMP

PRE-CHARGE RESISTOR	
250_ohm 10W (24-36V)	470_ohm 10W (48V)
1000_ohm 10W (72V)	

ANN250	ANN400
AXE-300	AXE-450
AXE-400	AXE-650

POWER WIRE GAUGE	
AXE-300AMP	STOCK (6AWG)
AXE-400AMP	4AWG
AXE-450AMP	4AWG
AXE-500AMP	4AWG-2AWG
AXE-650AMP	2AWG-1/0

THIS PLATFORM DOES NOT PROVIDE DYNAMIC BRAKING

\* HIGH CURRENT WIRING IN BOLD \*

TAB	FUNCTION
1	KSI VOLTAGE
2	THRITTLE
3	THRITTLE
4	1/2 SPEED REVERSE
B+	BATTERY POSITIVE
B-	BATTERY NEGATIVE
M-	MOTOR MINUS

### CONTROLLER PIN OUT

#### NOTES:

- \* FUSES REQUIRED FOR ALL INSTALLATIONS
- \* DIODE REQUIRED ACROSS COILS / RELAYS
- \* PRE-CHARGE RESISTOR REQUIRED
- > ASSUMES FDDTSWITCH IS OPEN WHEN THRITTLE OFF
- > ALLTRAX RESERVES THE RIGHT TO CHANGE DOCUMENTATION WITHOUT NOTICE
- > ALLTRAX MAKES NO WARRANTY AS TO THE ACCURACY, SUFFICIENCY, OR SUITABILITY OF ANY TECHNICAL OR OTHER INFORMATION PROVIDED
- > SEE OPERATORS MANUAL FOR MORE INFORMATION

#### REVISIONS

REV.	ECO.	DATE	APVD	DRAWN	T:Thorne	111706
A	010407	010407	TT	ENGR	D.Crockett	111706

PROPRIETARY  
THIS IS AN ALLTRAX INC. DOCUMENT  
REPRODUCTION, RELEASE, OR DISCLOSURE  
IN WHOLE OR PART WITHOUT WRITTEN  
PERMISSION OF ALLTRAX INC.

**ALLTRAX** 1111 Cheney Creek Rd.  
Grants Pass, OR 97527  
Phone:(541) 478-5865

TITLE  
AXE-Permanent Magnet  
w/Manual Reverse Wiring Diagram

SIZE DOCUMENT NO. REV.  
A S Doc100-047 A

DO NOT SCALE DRAWING